

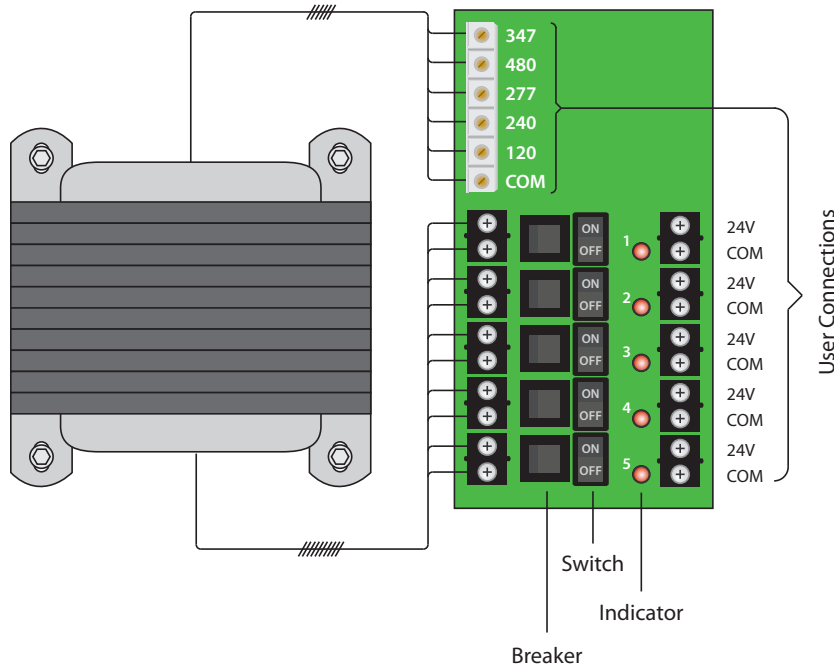
**AC POWER SUPPLY**

**PSH200A**

Enclosed 200VA Power Supply with Five 40VA Class 2 Outputs, 480/347/277/240/120 Vac to 24 Vac

**PSMN200A**

Open Style 200VA Power Supply with Five 40VA Class 2 Outputs, 480/347/277/240/120 Vac to 24 Vac



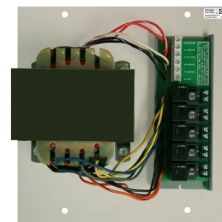
PSH200A  
Shown  
With  
Cover



PSH200A  
Shown  
Without  
Cover



PSMN200A



POWER SUPPLIES

**SPECIFICATIONS**

**Transformer:** One (1) 200 VA  
**Over Current Protection:** Circuit Breaker  
**Primary:** 480/347/277/240/120 Vac  
**Frequency:** 50/60 Hz  
**Dimensions:** 12.125" x 12.125" x 6.000" (PSH200A)  
 11.330" x 11.400" x 5.000" (PSMN200A)  
**Approvals:** Class 2 (UL Approved UL5085-3), UL916, C-UL  
**Sub-Panel:** Plenum Rated Polymetal Sub-Panel (PSMN200A)  
**Housing:** NEMA1 Metal Enclosure (PSH200A)  
**Weight:** 18.60 lbs. (PSH200A)  
 8.00 lbs. (PSMN200A)

**5 Secondaries:**  
 24 Vac, with LED Indicators

**24 Vac ON/OFF:**  
 On / Off Switch & Breaker

**Input:**  
 480/347/277/240/120 Vac **Finger-Safe Terminals**, 8-18 AWG

**Output:**  
 5 Ungrounded, Isolated, 40 VA, Class 2, 24 Vac Outputs. Terminals accept 12-26 AWG wire.

**Ambient Temperature Derating:**  
 1.6A up to 40° C ; 1.2A up to 60° C  
 (When All 5 Outputs Operated Simultaneously)

**Notes:**

- Open style (PSMN200A) is mounted to sub-panel SP3303 for shipping. Sub-panel may be removed to suit application.
- Primary voltage terminal cover available. See model AP553-TC on page 141.

**Standby Wattage:**  
 18.93 W @ 120 Vac  
 22.08 W @ 240 Vac  
 22.33 W @ 277 Vac  
 23.11 W @ 347 Vac  
 25.24 W @ 480 Vac

**Full Load Primary Current:**  
 2.57 A @ 120 Vac  
 1.44 A @ 240 Vac  
 1.17 A @ 277 Vac  
 0.95 A @ 347 Vac  
 0.73 A @ 480 Vac

**Secondary Output Voltage vs. Load:**  
 24.9 V @ 0.5 Amp  
 24.0 V @ 1.0 Amp  
 23.9 V @ 1.4 Amp  
 23.7 V @ 1.6 Amp

- With 120 Vac primary input voltage
- When all 5 outputs operated simultaneously, at room temperature

**347 VAC INPUT VOLTAGE PROVIDES DIRECT CONVERSION FROM MANY CANADIAN SYSTEMS TO CLASS 2 OUTPUTS**

**PERFECT FOR ISOLATING UP TO FIVE ZONE CONTROLLERS**